

SAW Filter 125.0MHz

Model: TB0467A

Part No: MP01201

REV NO.:1

A. MAXIMUM RATING:

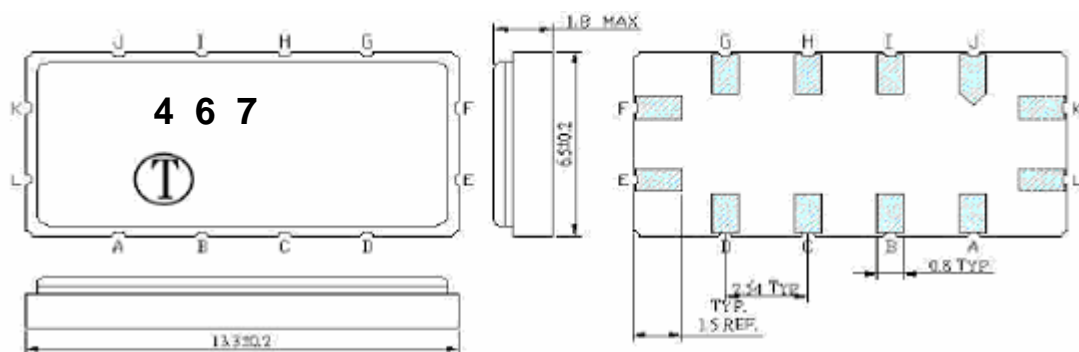
1. Operating Temperature: -20°C ~ +70°C
2. Storage Temperature: -40°C ~ +85°C
3. Input Power Level: 10dBm

B. CHARACTERISTICS:

1. Ambient Temperature: 25°C

Characteristics	Value			Note.
	Min.		Max.	
Center frequency F_C MHz	-	125	-	-
Maximum Insertion loss I.L. dB	-	12.5	13.5	-
1dB Bandwidth MHz	-	29.0	-	-
3dB Bandwidth MHz	30.0	30.2	-	-
40dB Bandwidth MHz	-	34.5	39.0	-
Passband Ripple ($F_C \pm 14$ MHz) dB	-	0.64	1.00	-
Group Delay Ripple ($F_C \pm 14$ MHz) nS	-	15	50	-
Temp Coefficient ppm/C		-86		
Absolute Delay uS		0.88		
Attenuation:(Reference level from minimum insertion loss)				
1) Ultimate Attenuation dB	40	55	-	-

C. OUTLINE DRAWING:



Pin configuration

- #K RF Input
- #L RF Input ground
- #E RF Output
- #F RF Output ground
- #A,B,C,D,G,H,I,J To be ground

Unit: mm

SAW Filter 125.0MHz
Part No: MP01201

Model: TB0467A
REV NO.:1

D. FREQUENCY CHARACTERISTICS:

1. S21 Response

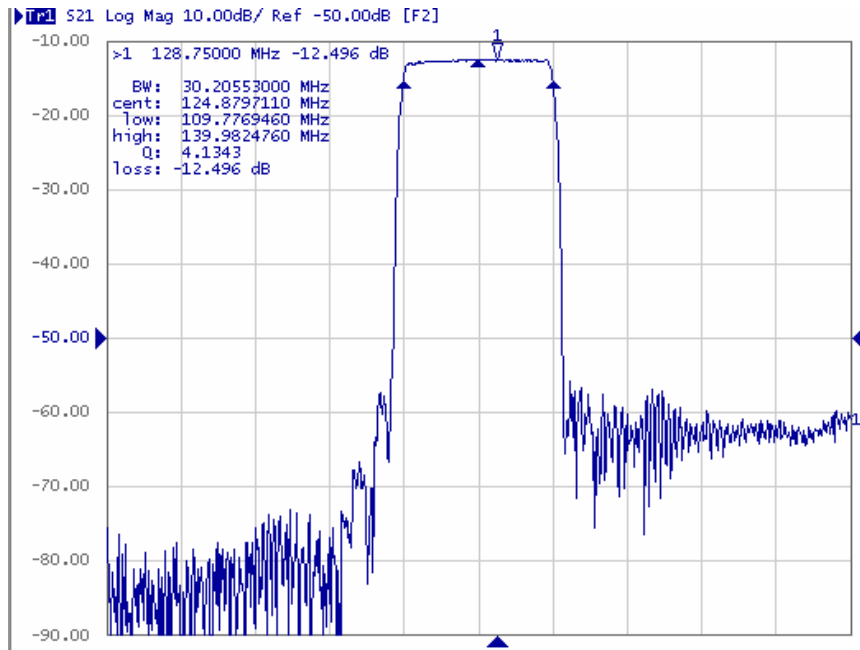


Fig. 1 S21 Response Horizontal: 15MHz/Div; Vertical: 10dB/Div

2. Pass band Ripple

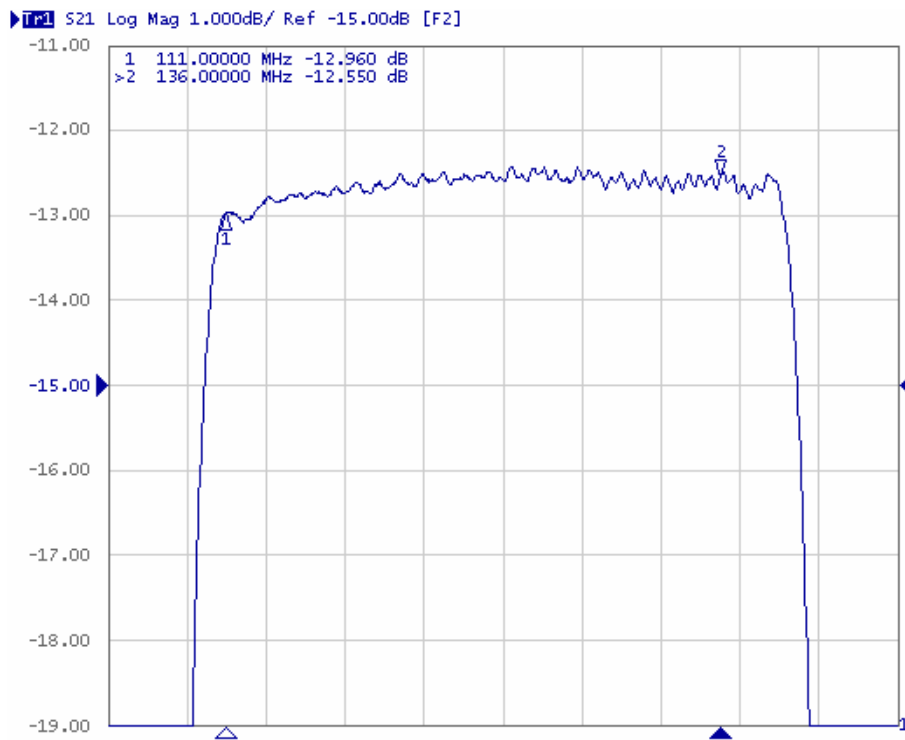


Fig. 2 Inband ripple Horizontal: 4MHz/Div; Vertical: 1dB/Div

SAW Filter 125.0MHz
Part No: MP01201

Model: TB0467A
REV NO.:1

3. S21 Response

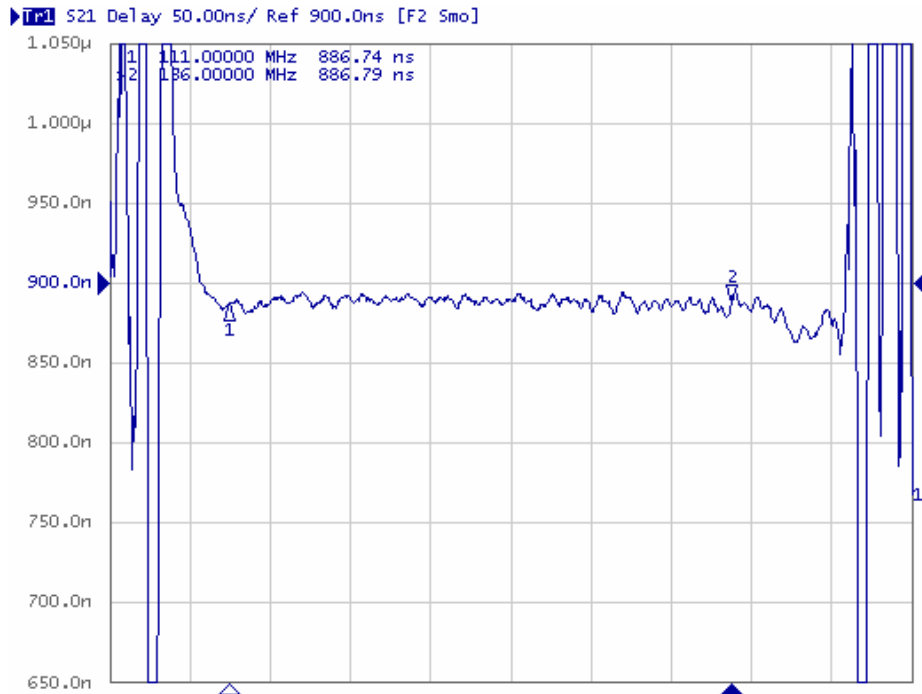


Fig. 3 Group Delay Horizontal: 4MHz/Div; Vertical: 50nS/Div

4. Wide band Response

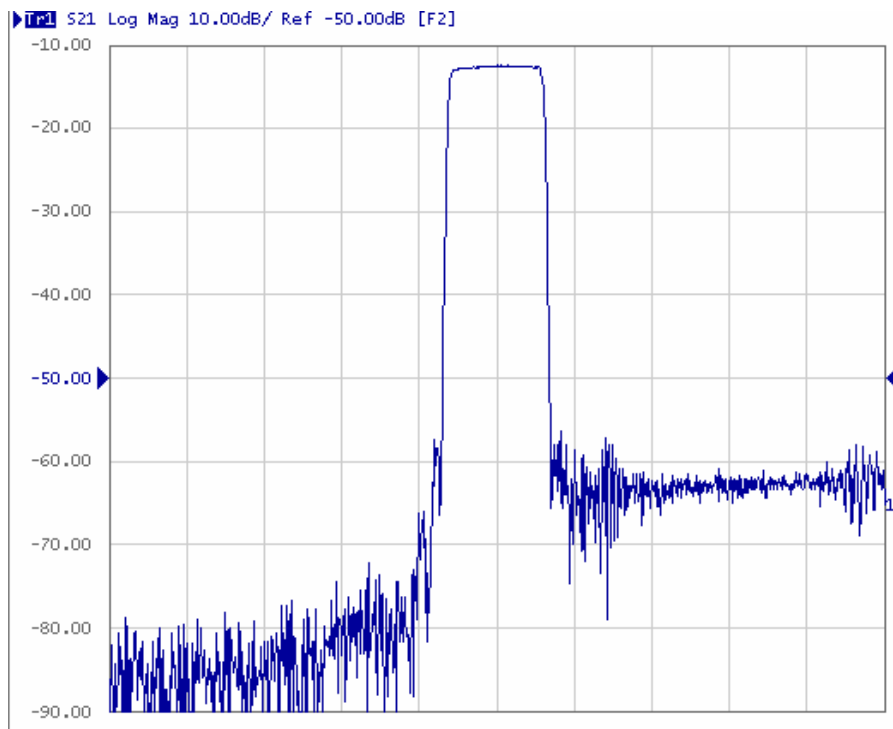


Fig. 2 Wide band Horizontal: 25MHz/Div; Vertical: 10dB/Div

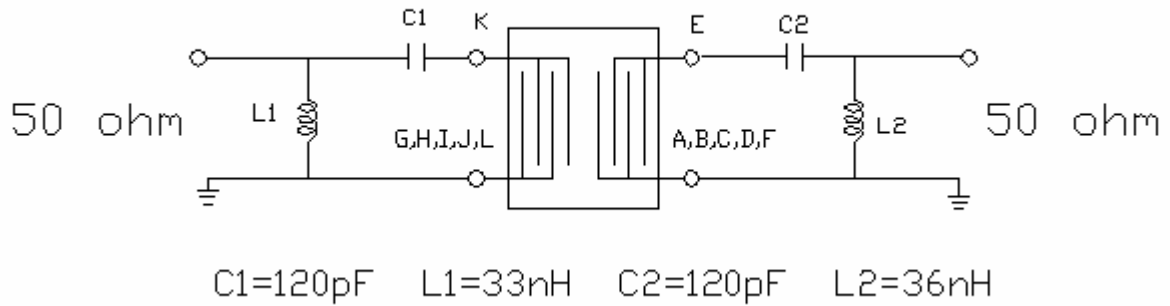
SAW Filter 125.0MHz

Model: TB0467A

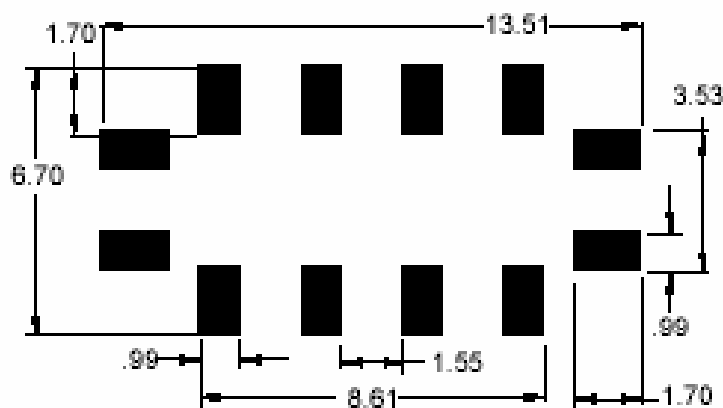
Part No: MP01201

REV NO.:1

E. TEST FIXTURE:



F. PCB FOOTPRINT:

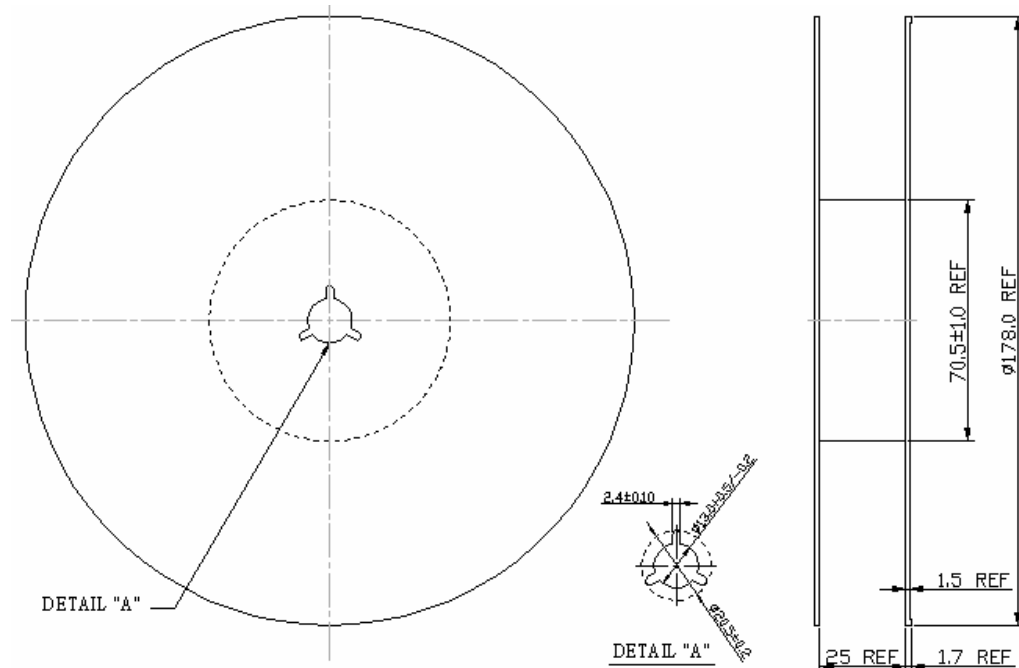


SAW Filter 125.0MHz
Part No: MP01201

Model: TB0467A
REV NO.:1

G. PACKING:

1. REEL DIMENSION



2. TAPE DIMENSION

